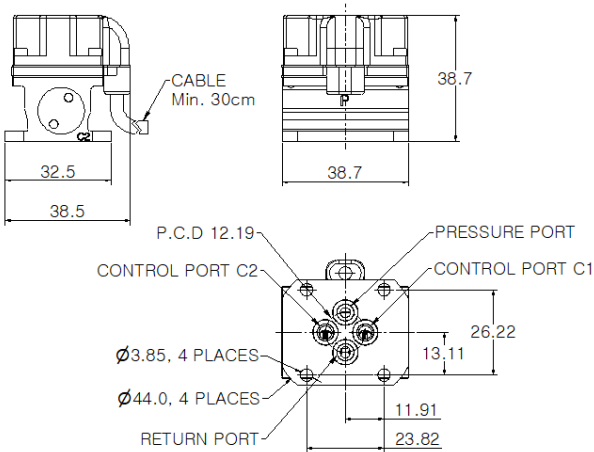
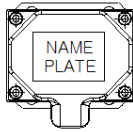


STANDARD SERIES

NF03

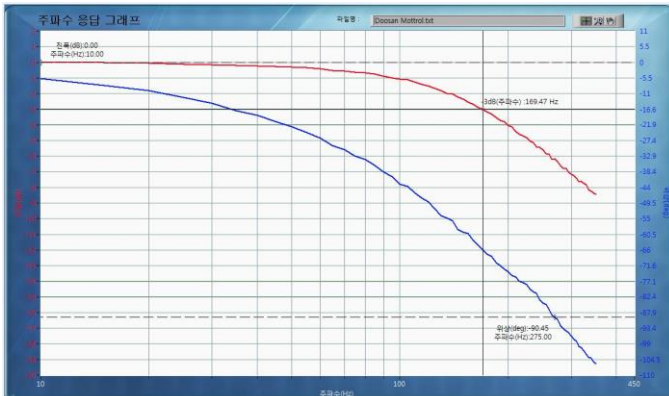


Installation Details NF03



PORTS(P, R, C1, C2) MAX DIA. : 4.06
 C' BORED : 05.08(I.D) X 07.87(O.D) X 01.36(DEEP)
 PACKINGS : OR1000600(4 EA)

© Typical frequency response for Standard Series NF03 Servo valve shown below



Nozzle-Flapper Servo Valve

- Specify rated control flow in GPM within limits of table
 - Lower rated flows available on special order
- Specify supply pressure from 500 to 4000psi to nearest 50psi
 - Lower and higher pressures available on special order

Supply Pressure (no load valve pressure drop) PSI	Range of No-Load Rated flow with MIL-PRF-83282			
	Minimum Value		Maximum Value	
	CIS	GPM	CIS	GPM
500	0.51	0.13	4.9	1.3
1000	0.69	0.18	6.9	1.8
1500	0.84	0.22	8.5	2.2
2000	0.96	0.25	9.8	2.5
2500	1.1	0.29	11	2.9
3000	1.2	0.31	12	3.1
3500	1.3	0.34	13	3.4
4000	1.4	0.36	14	3.6

- Refer to page 4 for the coil resistance
- Refer to page 4 for the lead cable with individual coil connection
- Cable location over R or P only choice for Series NF03

	Nominal Supply Pressure(psi)			
	500	1000	2000	3000
Maximum amplitude ratio	< 2db	< 2db	< 2db	< 2db
Frequency of 90° Phase Point	< 120Hz	< 150Hz	< 170Hz	< 200Hz

© Stock Series NF03(Part number NF03-I04)

- Supply pressure ----- 3000psi
- Rated flow ----- 12cis(3.1gpm) no-load
6.9cis(1.8gpm) at 1000psi valve drop
- O-rings ----- NBR
- Test fluid ----- MIL-PRF-83282
- Rated current ----- 10mA
- Coil resistance ----- 200 ohms/coil
- Coil connection ----- individual coils
- Connector ----- 4 wire cable
- Cable location ----- over return port