

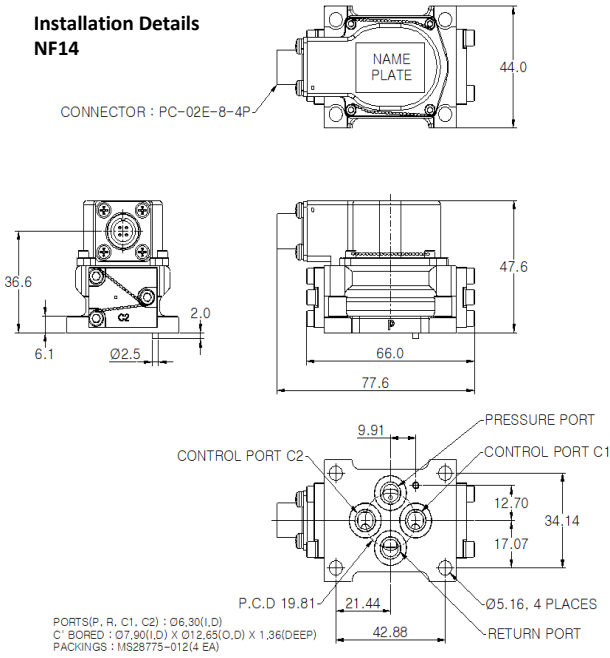
STANDARD SERIES

NF14

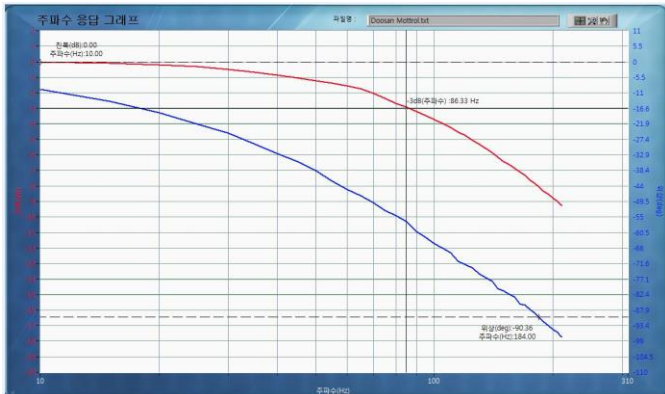
Nozzle-Flapper Servo Valve



Installation Details NF14



© Typical frequency response for Standard Series NF14 Servo valve shown below



- Specify rated control flow in GPM within limits of table
 - Lower rated flows available on special order
- Specify supply pressure from 500 to 4000psi to nearest 50psi
 - Lower and higher pressures available on special order

| Supply Pressure (no load valve pressure drop) PSI | Range of No-Load Rated flow with MIL-PRF-83282 | | | |
|--|--|-----|---------------|-----|
| | Minimum Value | | Maximum Value | |
| | CIS | GPM | CIS | GPM |
| 500 | 11 | 2.8 | 22 | 5.7 |
| 1000 | 15 | 4.0 | 31 | 8.0 |
| 1500 | 19 | 4.9 | 38 | 9.8 |
| 2000 | 22 | 5.6 | 44 | 11 |
| 2500 | 24 | 6.3 | 48 | 13 |
| 3000 | 27 | 6.9 | 54 | 14 |
| 3500 | 29 | 7.5 | 58 | 15 |
| 4000 | 33 | 8.6 | 62 | 16 |

- Refer to page 4 for the coil resistance
- Refer to page 4 for the connector or cable
- Cable location over R or P only choice for Series NF14

| | Nominal Supply Pressure(psi) | | | |
|------------------------------|------------------------------|---------|---------|---------|
| | 500 | 1000 | 2000 | 3000 |
| Maximum amplitude ratio | < 2db | < 2db | < 2db | < 2db |
| Frequency of 90° Phase Point | > 70Hz | > 110Hz | > 140Hz | > 160Hz |

© Stock Series NF14(Part number NF14-S04)

- Supply pressure ----- 3000psi
- Rated flow ----- 54cis(14gpm) no-load
31cis(8gpm) at 1000psi valve drop
- O-rings ----- NBR
- Test fluid ----- MIL-PRF-83282
- Rated current ----- 10mA parallel
- Coil resistance ----- 400 ohms/coil
- Coil connection ----- Series coils
- Connector ----- Bendix PC-02E-8-4P
- Cable location ----- over return port